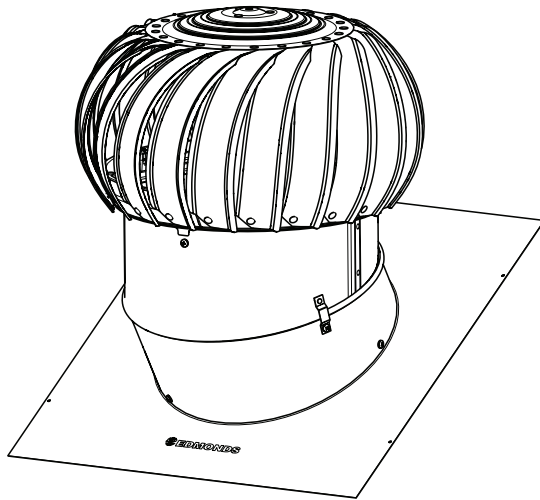


WindMaster™

Installation Manual



Item Checklist & Additional Tools Required For Installation

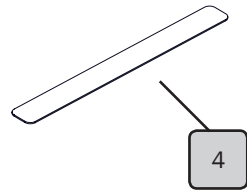
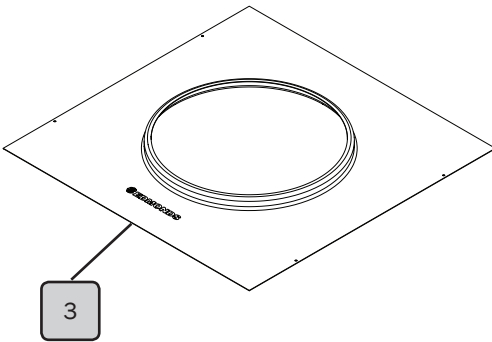
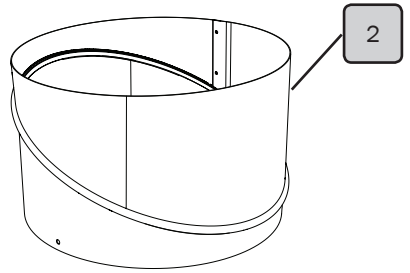
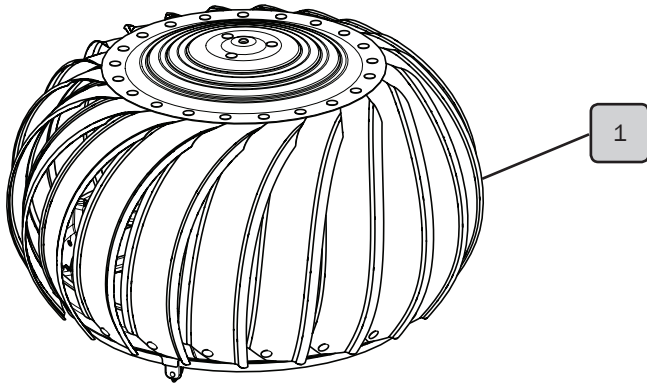
Included Parts:	Qty:
1 Windmaster Top	1
2 Varipitch	1
3 Flashing	1
4 Fixing Strap	1
5 Screw Pack	1
6 Instruction Document	1
7 Warranty Document	1

Additional Parts & Tools Required (Not Supplied)

Soft Rubber Hammer
Caulking Gun (Non BAL Install Only)
Silicone Sealant (Non BAL Install Only)
Angle grinder with cutting disc (Tile roof only)
Screw/Nail for fastening Fixing Strap (Tile roof only)
Knife (Sarked roof only)
Foil Tape (Sarked roof only)
Marker Pen
Nibbler or Similar Cutting Tool (Metal roof only)
10G Tek Screws or Sealed Rivets (Metal roof only)
Cordless Driver with #2 Phillips Bit
Combination Pliers

*** For BAL Compliance NO sealant should be used. Instead care needs to be taken when forming the flashing so that no gaps greater than 3mm are present.

For BAL installations the sparkguard **MUST** be installed prior to commencing this installation process. Follow the specific sparkguard installation instructions included with the sparkguard



Warnings and Important Notices

WARNING: Do not proceed with the installation until you have read the entire instructions, including these warnings.

INSTALL AT YOUR OWN RISK

The installation of this product may be dangerous and includes the potential of death, personal injury or property damage. Please be aware of the following before installing this product.

- Follow any state or territory regulator OH&S guidelines for working at height (e.g. Roof work), electrical, working in elevated temperatures (e.g. roof space in summer).
- Installation requires climbing and working at heights. Use caution to minimise risks by:
 - Clearing the area below the workspace
 - Not walking on surfaces that are slippery, wet or dusty
 - Using appropriate equipment (tie off ladders etc.)
- DO NOT attempt to install if you are uncomfortable with working at heights or on sloping roof surfaces
- There are sharp edges on the flashing, cut tiles, roof sheeting etc. Take care and wear personal protective equipment when handling and installing products
- Be aware of electrical cabling in the roof. If there is any sign of risk, isolate the power before entering the roof space. Be aware that there can be non-isolated electrical cables such as mains supply and solar supply. Note if these are in the roof space and avoid these items.
- If installing eave vents be careful to determine that the eave cladding material does not contain asbestos. If it does or you cannot determine the make up, then the eave vent can only be installed using correct asbestos handling procedures by a person trained and/or licensed to handle asbestos.

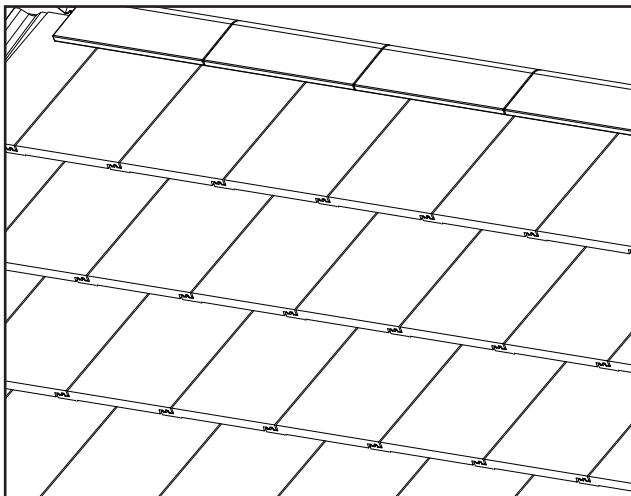
Installation - Tiled Roof

For BAL installations the sparkguard **MUST** be installed prior to commencing this installation process. Follow the specific sparkguard installation instructions included with the sparkguard

STEP 1

Select a suitable position for the ventilator on the roof no higher than the third row of tiles down from the ridge.

Take care to check that there are no obstructions below the tile such as a rafter.

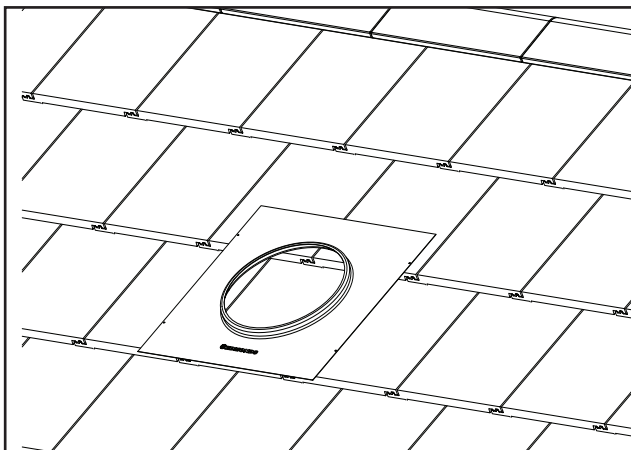


The removal of a tile higher than the third row down from the ridge may damage the ridge tile pointing and is **NOT** recommended.

STEP 2

Position the flashing in the desired location so that the tiles that need to be cut or removed can be determined.

Mark out the position and either remove and/or cut the required tiles.



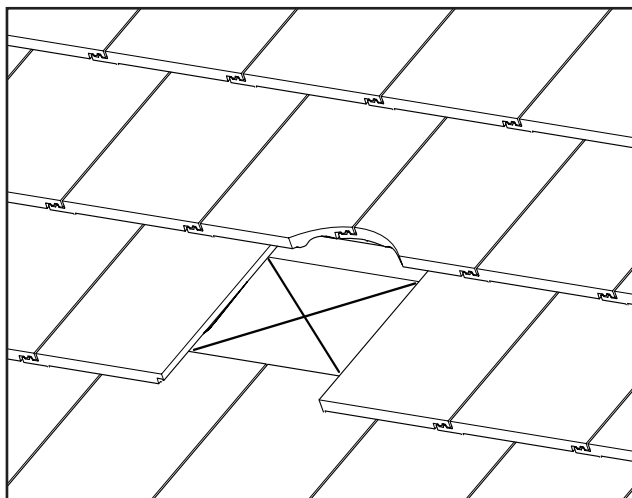
Depending on roof construction a tile batten may be obstructing a clear access to the throat. This batten can be left in place with the Windmaster sitting above it.

Installation - Tiled Roof

STEP 3

If the roof is sarked, cut sarking in a cross and fold back onto itself to give a 300mm opening.

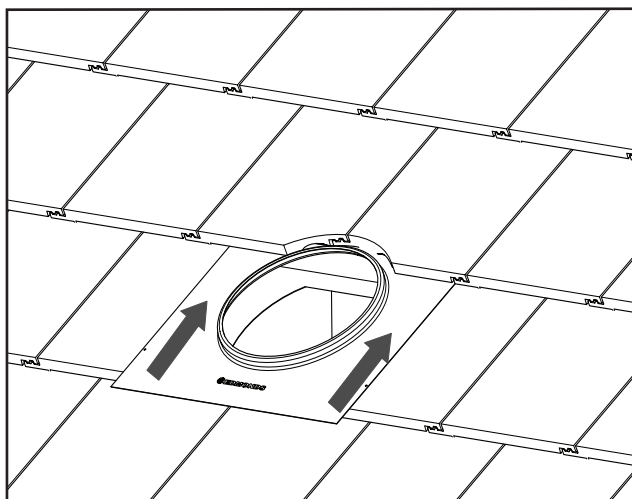
Tap the corners to the surrounding sarking with foil tape to prevent them fouling the ventilator.



Folding the cut sarking flaps back on themselves results in a gutter arrangement that helps to prevent any water running down the sarking from entering through the opening

STEP 4

Fit the ventilator into place and ensure surrounding tiles are fitted securely.



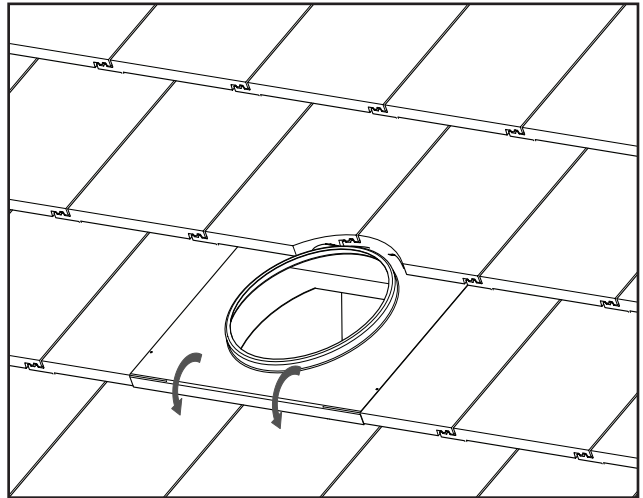
Installation - Tiled Roof

STEP 5

Fold and form the front edge of the flashing to seal against the tiles below.

Using a soft hammer, carefully dress the front and sides of the flashing into the shape of the tiles.

For BAL installs this must be done with care to ensure that no gaps greater than 3mm are present.



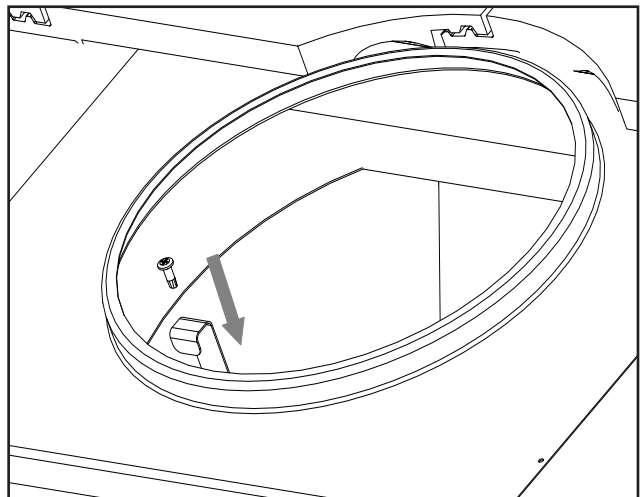
For BAL compliance, no gaps greater than 3mm may be present. A water tight install can be achieved by carefully forming the flashing to the tile profiles, without the use of sealant.

STEP 6

Using the pliers fold the end of the fixing strap into a hook and drop it over the flashing upstand.

Fix the fixing strap to the flashing upstand with a screw (not provided)

If a sparkguard is fitted then the fixing strap should have already been fitted during the installation of the sparkguard.

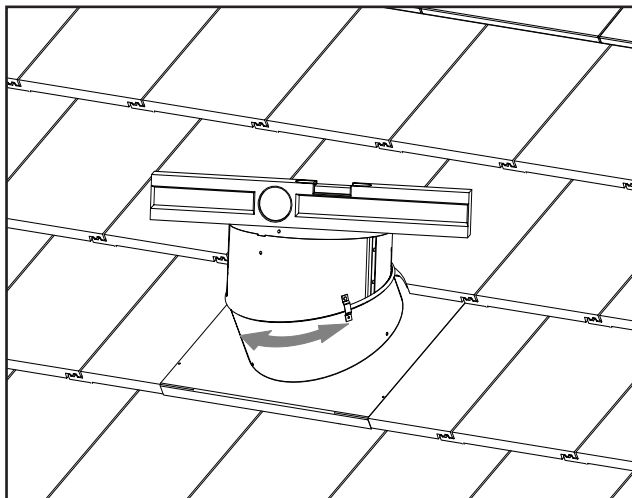


Installation - Tiled Roof

STEP 7

Using a spirit level for guidance, rotate the two varipitch halves until the top of the varipitch is horizontal.

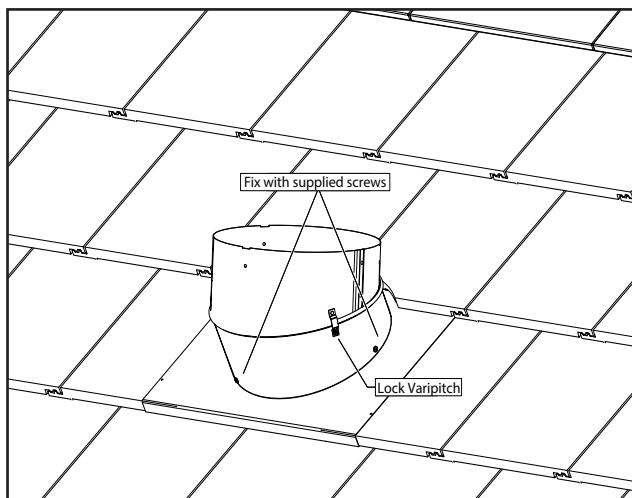
Ensure the varipitch is the correct way up by keeping the notched edge to the top.



STEP 8

Screw the varipitch to the flashing with the three screws provided.

Lock the varipitch by screwing the fixing clip into the lower half with one of the screws provided.



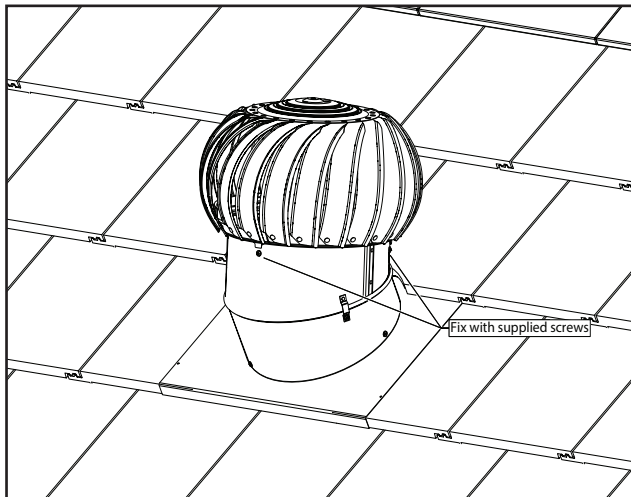
Installation - Tiled Roof

STEP 9

Position the Windmaster top onto the top of the varipitch.

The three mounting points on the lower ring align with the three notches on the varipitch.

Fix the Windmaster top to the varipitch with the three screws provided.

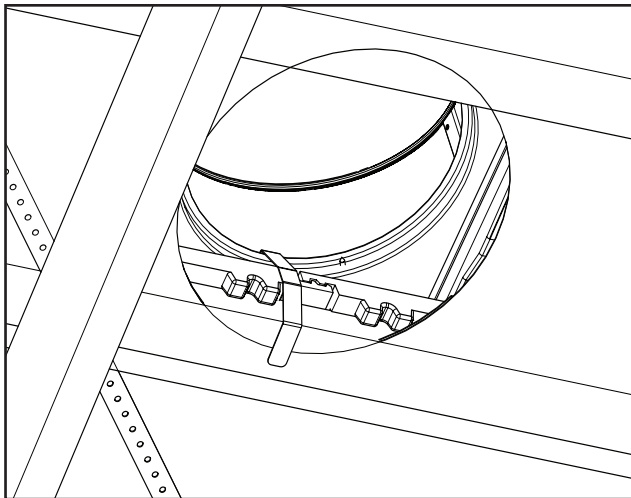


STEP 10

From within the roof space, take the fixing strap and bend it until it is in a position to be securely fixed to the lower tile batten.

Screw or nail (not supplied) the fixing strap to the batten, this will prevent the lower part of the flashing lifting in heavy winds.

For additional weather proofing turn the rear edge of the flashing up so that it seals against the tiles above.



Turning the rear of the flashing upwards allows it to act as a gutter to prevent any wind driven water from entering the roof space.

Installation - Metal Roof

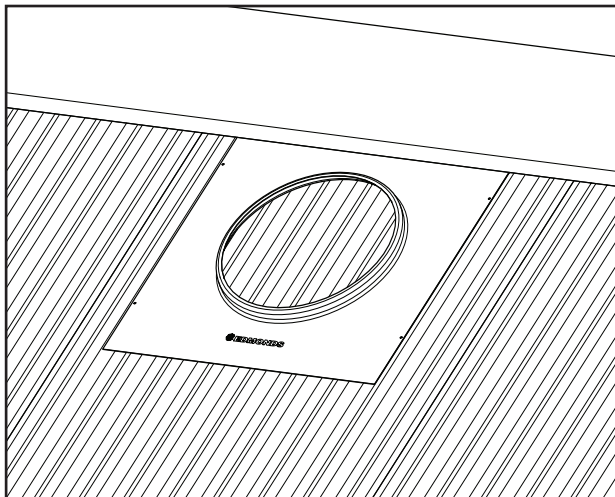
Note: Ridge capping screws may need to be removed whilst performing installation. Upon completion, return the fixing screws to the previous positions
For BAL installations the sparkguard **MUST** be installed prior to commencing this installation process. Follow the specific sparkguard installation instructions included with the sparkguard

STEP 1

Select a suitable position for the ventilator.

Slip the top edge of the flashing under the ridge cap and mark position.

To install the vent lower down the roof, appropriate backflashing must be installed, extending back to the ridge capping.

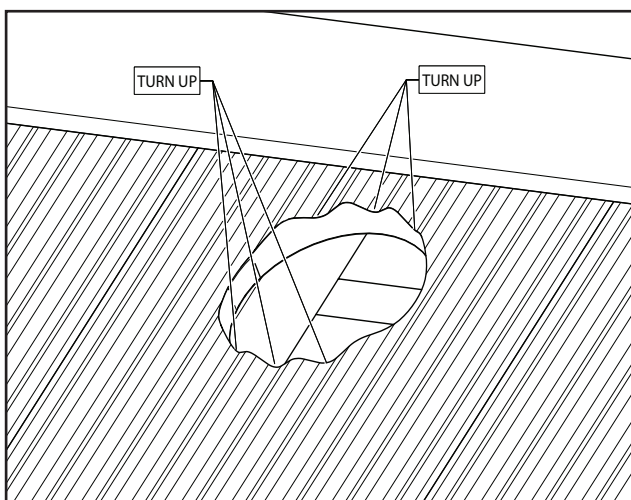


Ensure that the flashing covers the roof corrugations or ribs equally and that it is located between roof rafters.

STEP 2

Remove the flashing and cut a 300mm square or round opening around the centre of the position marks.

Turn up the corrugations or pans on both the low and high sides. This will help to prevent water ingress.

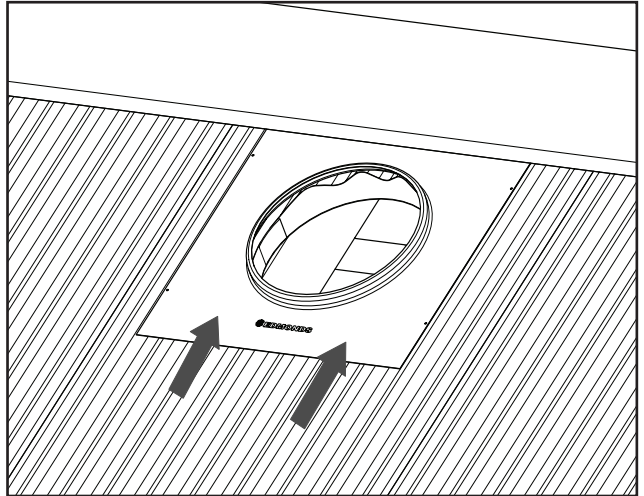


Installation - Metal Roof

STEP 3

Return the flashing to the roof, positioning it over the cutout. Ensure that the top of the flashing is slipped under the ridge capping.

For lower pitched roofs, turn up the top edge of the flashing before slipping under ridge capping. This will help prevent water ingress.

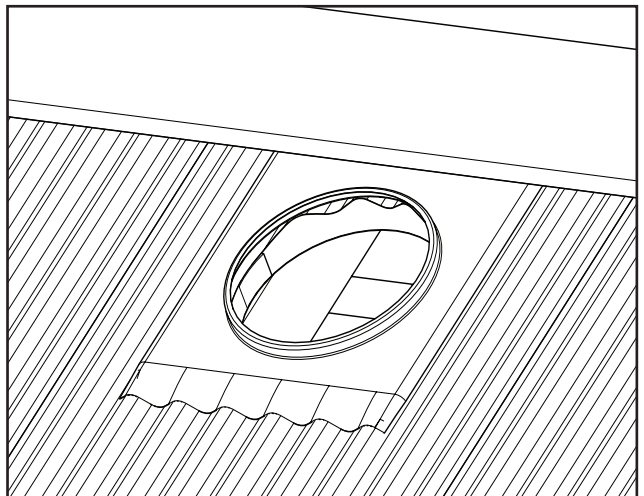


For BAL compliance, no gaps greater than 3mm may be present. A water tight install can be achieved by carefully forming the flashing to the roof sheeting profile, without the use of sealant.

STEP 4

Using a soft rubber hammer, carefully work around the sides and lower edge of the flashing to form it into the corrugations of the metal sheeting profile.

For BAL installs this must be done with care to ensure that no gaps greater than 3mm are present.



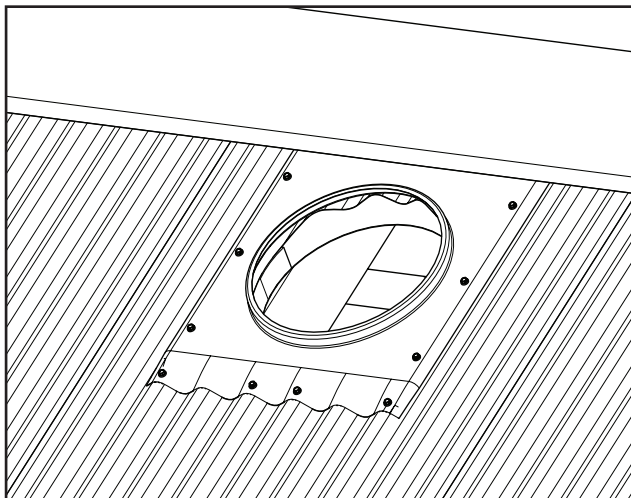
Installation - Metal Roof

STEP 5

Secure the flashing to the metal sheeting with 10G Tek screws or sealed rivets along the 3 exposed edges of the flashing.

Approximately 10 required (not supplied)

For Non BAL compliant jobs only, a bead of silicon can be applied to ensure a water tight seal

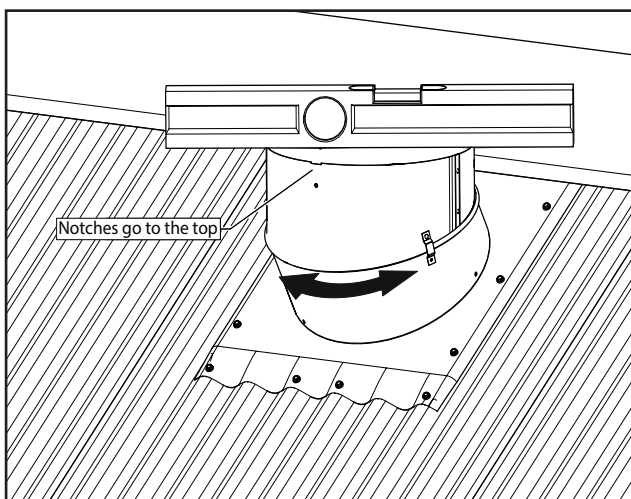


Sealants cannot be used in BAL installations due to their combustible nature.

STEP 6

Using a spirit level for guidance, rotate the two varipitch halves until the top of the varipitch is horizontal.

Ensure the varipitch is the correct way up by keeping the notched edge to the top.

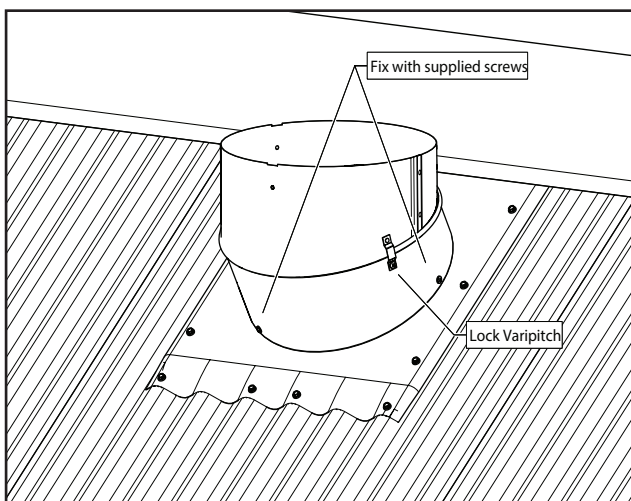


Installation - Metal Roof

STEP 7

Screw the varipitch to the flashing with the three screws provided.

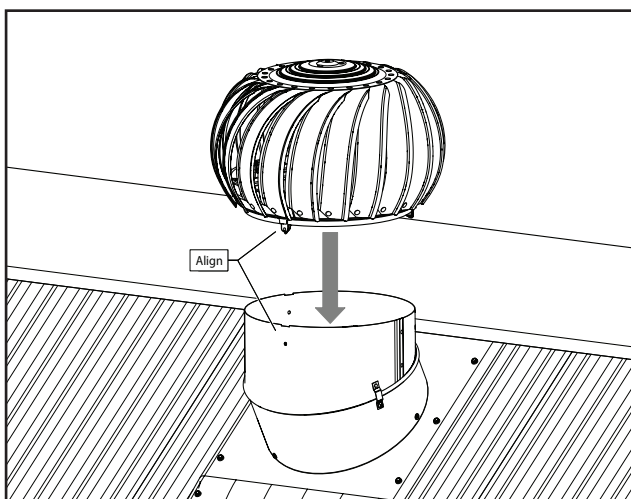
Lock the varipitch by screwing the fixing clip into the lower half with one of the screws provided.



STEP 8

Position the Windmaster top onto the top of the varipitch.

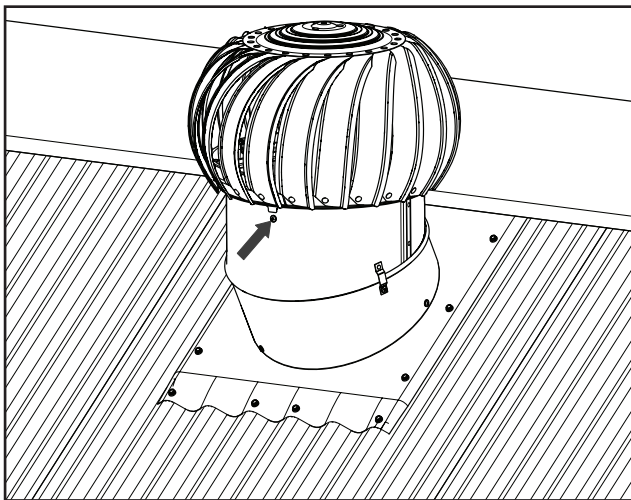
The three mounting points on the lower ring align with the three notches on the varipitch.



Installation - Metal Roof

STEP 9

Fix the Windmaster top to the varipitch with the three screws provided.



For BAL rated jobs there can be no gaps in the flashing - roof junction greater than 3mm.

Ensure the flashing is formed appropriately to achieve this.

bradfordventilation.com.au

