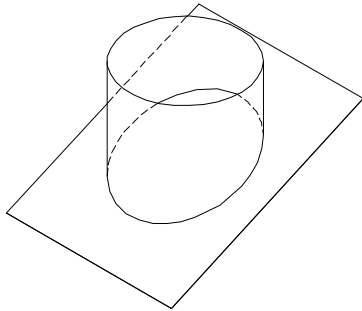


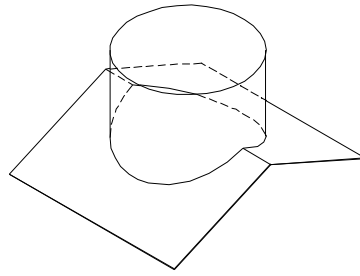
VENTILATOR BASE TYPES

DATE: 17 June 1997

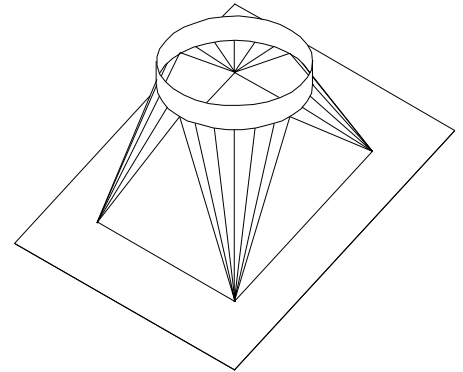
REVISED: 2 December 1998



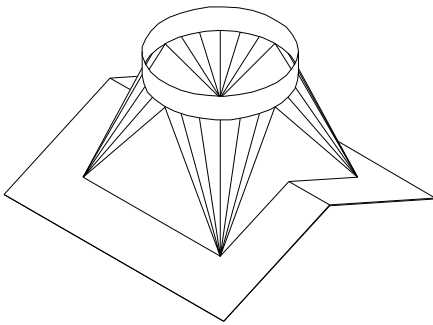
Type 1
Spigot Slope Type Base



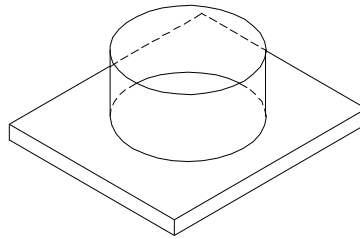
Type 2
Spigot Ridge Type Base



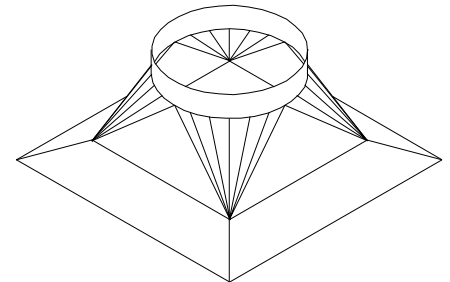
Type 3
Square-to-Round Slope Type Base



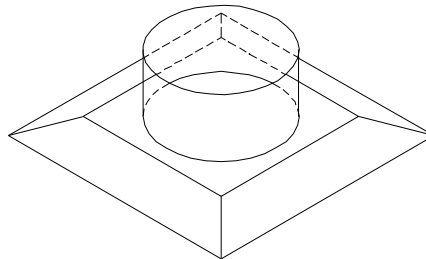
Type 4
Square-to-Round Ridge Type Base



Type 5
Curb Mount Type Base



Type 6
Square-to-Round Pyramid Type Base



Type 7
Spigot Pyramid Base

SPECIFICATION:

Material: All Aluminium.

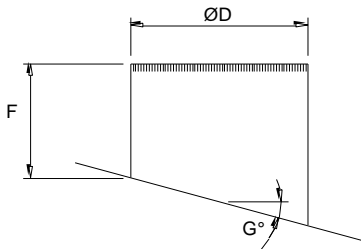
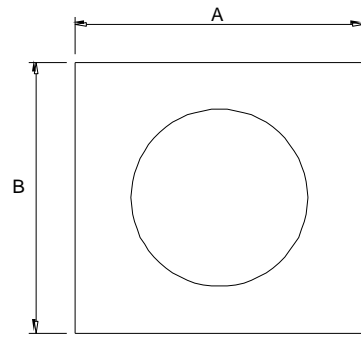
Sizes: The bases are custom made to suit the roof slope and the ventilator to be fitted to them.

Finish: Mill or Powdercoated.

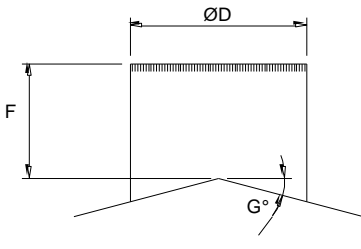
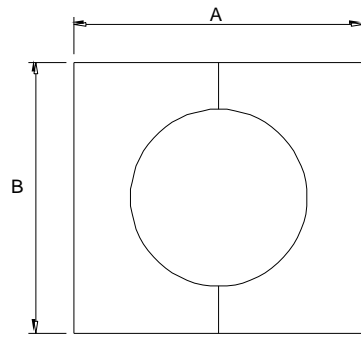
BASE DIMENSIONS TYPES 1, 2 & 7

DATE: 10 July 2000

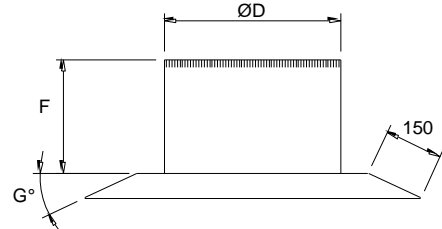
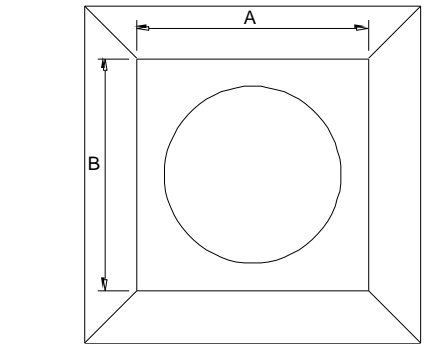
REVISED: 5 September 2011



Type 1
Spigot Slope Base



Type 2
Spigot Ridge Base



Type 7
Spigot Pyramid Base

All dimensions in mm and angles in degrees.

G° is the base roof slope angle and must be specified with the base order. The range of G° available in 0.5° increments for the different base types is listed in the tables below.

Type 1 Spigot Slope Base

| Dimension | H300 | H400 | H450 | H500 | H600 | H700 | H800 | H900 |
|------------------------|----------|----------|----------|----------|----------|----------|----------|----------|
| A | 600 | 750 | 750 | 750 | 1000 | 1000 | 1200 | 1200 |
| B | 500 | 700 | 700 | 700 | 1000 | 1000 | 1200 | 1200 |
| D | 305 | 405 | 458 | 507 | 598 | 699 | 795 | 895 |
| F (T1,2,5 & no damper) | 220 | 270 | 295 | 320 | 370 | 420 | 470 | 520 |
| F (T6 damper) | 295 | 390 | 440 | 490 | 590 | N/A | N/A | N/A |
| G° (min-max) | 0.5 - 45 | 0.5 - 45 | 0.5 - 45 | 0.5 - 45 | 0.5 - 45 | 0.5 - 45 | 0.5 - 35 | 0.5 - 35 |

Type 2 Spigot Ridge Base

| Dimension | H300 | H400 | H450 | H500 | H600 | H700 | H800 | H900 |
|---------------------|--------|--------|--------|--------|--------|--------|--------|--------|
| A | 600 | 750 | 750 | 750 | 1000 | 1000 | 1200 | 1200 |
| B | 500 | 700 | 700 | 700 | 1000 | 1000 | 1200 | 1200 |
| D | 305 | 405 | 458 | 507 | 598 | 699 | 795 | 895 |
| F (no damper) | 150 | 150 | 150 | 150 | 150 | 150 | 200 | 250 |
| F (T1,2,5 damper) | 220 | 270 | 295 | 320 | 370 | 420 | 470 | 520 |
| F (T6 damper) | 295 | 390 | 440 | 490 | 590 | N/A | N/A | N/A |
| G° (min-max) | 0 - 60 | 0 - 60 | 0 - 60 | 0 - 60 | 0 - 60 | 0 - 60 | 0 - 55 | 0 - 55 |

Type 7 Spigot Pyramid Base

| Dimension | H300 | H400 | H450 | H500 | H600 | H700 | H800 | H900 |
|---------------------|----------|----------|----------|----------|----------|----------|----------|----------|
| A | 400 | 500 | 600 | 650 | 700 | 800 | 950 | 1050 |
| B | 400 | 500 | 600 | 650 | 700 | 800 | 950 | 1050 |
| D | 305 | 405 | 458 | 507 | 598 | 699 | 795 | 895 |
| F (no damper) | 150 | 150 | 150 | 150 | 150 | 150 | 200 | 250 |
| F (T1,2,5 damper) | 220 | 270 | 295 | 320 | 370 | 420 | 470 | 520 |
| F (T6 damper) | 295 | 390 | 440 | 490 | 590 | N/A | N/A | N/A |
| G° (min-max) | 0.5 - 60 | 0.5 - 60 | 0.5 - 60 | 0.5 - 60 | 0.5 - 60 | 0.5 - 60 | 0.5 - 60 | 0.5 - 60 |

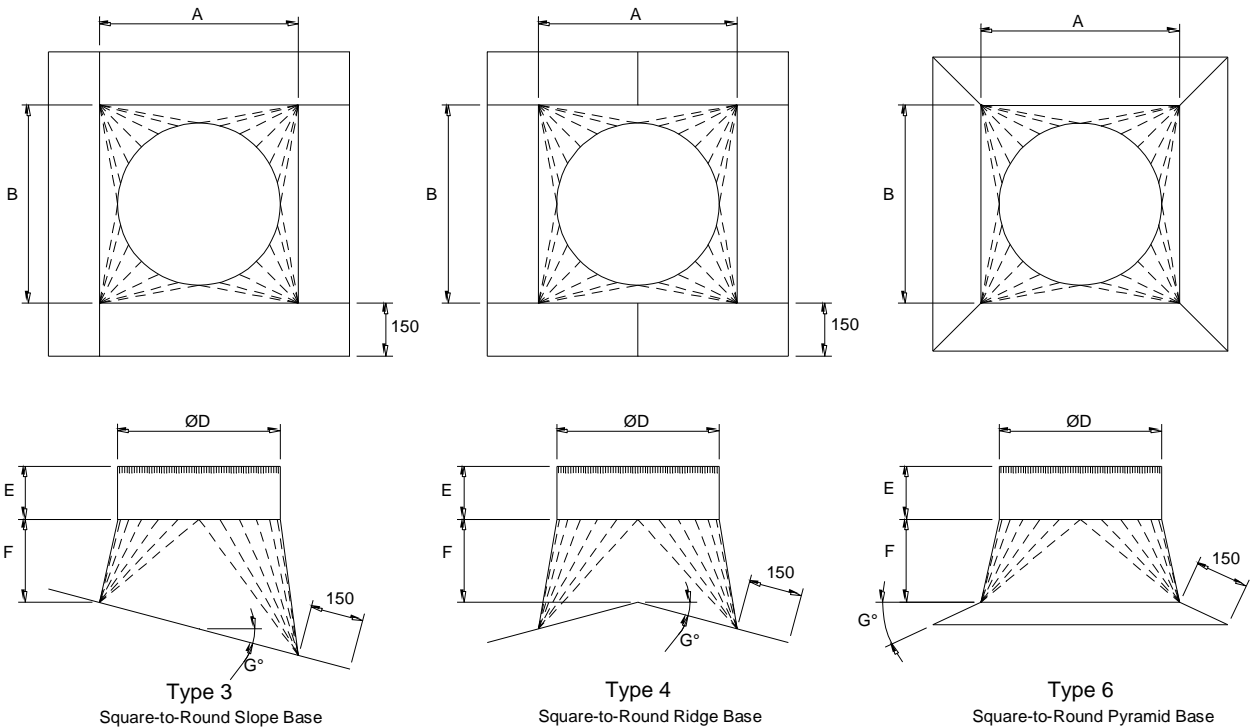
SPECIFICATION:

Material: 1mm Aluminium 5005 H34
Finish: Mill or Powdercoated.

BASE DIMENSIONS TYPES 3, 4 & 6

DATE: 10 July 2000

REVISED: 5 September 2011



All dimensions in mm and angles in degrees.

G° is the base roof slope angle and must be specified with the base order. The range of G° available in 0.5° increments for the different base types is listed in the table below.

| Dimension | H300 | H400 | H450 | H500 | H600 | H700 | H800 | H900 |
|-------------------------------|----------|----------|----------|----------|----------|----------|----------|----------|
| A | 375 | 500 | 560 | 620 | 750 | 870 | 995 | 1120 |
| B | 375 | 500 | 560 | 620 | 750 | 870 | 995 | 1120 |
| D | 305 | 405 | 458 | 507 | 598 | 699 | 795 | 895 |
| E (T1,2,5 & no damper) | 150 | 150 | 150 | 150 | 150 | 150 | 150 | 150 |
| E (T6 damper) | 150 | 180 | 205 | 230 | 280 | N/A | N/A | N/A |
| F | 160 | 210 | 235 | 260 | 310 | 360 | 410 | 460 |
| Type 3 G° (min-max) | 0.5 - 60 | 0.5 - 60 | 0.5 - 60 | 0.5 - 45 | 0.5 - 45 | 0.5 - 45 | 0.5 - 30 | 0.5 - 30 |
| Type 4 G° (min-max) | 0 - 60 | 0 - 60 | 0 - 60 | 0 - 45 | 0 - 45 | 0 - 45 | 0 - 30 | 0 - 30 |
| Type 6 G° (min-max) | 0.5 - 60 | 0.5 - 60 | 0.5 - 60 | 0.5 - 60 | 0.5 - 60 | 0.5 - 60 | 0.5 - 60 | 0.5 - 60 |

SPECIFICATION:

Material: 1mm Aluminium 5005 H34 (Type 3 & 4 also available in 0.55mm Colorbond Steel)
 Finish: Mill or Powdercoated.